



RadionicsTM

D222 Keypad Specifications Sheet

Features

- Simple user interface
- New 'Light Box' text display
- Two text lines, 16 characters each
- Programmable idle text
- Provides four expansion points
- Programmable point text for up to 24 points
- Text leads users through the system
- 'On' LED shows armed status from across the room
- Three programmable emergency keys
- Single key operation for many basic features
- Keys illuminate during entry delay and also light when you press a key
- Coded sounder provides alarm, trouble, watch, entry/exit delay, error, and other annunciation*
- Quick 3-wire connection to the panel
- Provides simple Keypad Programming interface for the D2212 Control/Communicator
- Provides the installer with basic system testing and troubleshooting diagnostics capability for the D2212

* Some tones can be enabled, disabled and otherwise altered by panel programming.

Programmable Features

- Entry and exit delay times
- Delay of alarm reports
- "Step Outside" excursion function provides simple to use bypass and restoral of entry points
- "Exit Only" function allows users to exit when the system is On with No Delay without turning the system off.

Listings and Approvals

- Underwriters Laboratories
Fire: 985, NFPA 72 Household
Burglary: 1023 Household, 365 Police, 609 Local,
1076 Proprietary, 1610 Central Station
- CSFM (submitted for evaluation)



Description

The Radionics D222 Keypad provides the user interface for the D2212 family of panels. It represents a new way of thinking about how people interact with their security system.

Most users can operate the system with confidence after only a few minutes of instruction, eliminating the need for extensive training sessions.

People want to know the system's condition at a glance. With its bright display and two lines of alphanumeric text, the D222 gives the user a clear picture of system status.

A pull-up reference card and labeled keypad provide the user with a quick reference to features and displays.

Passcodes

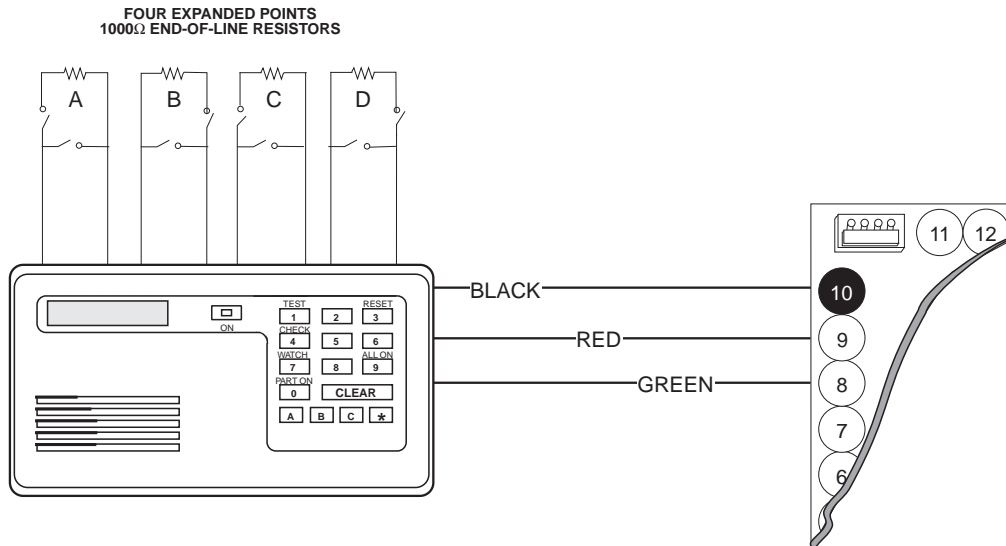
Passcodes can be as simple as 3 digits, or up to a maximum of six digits. There are no fixed digits.

There are three passcode types. The three types allow you to restrict access to certain system functions.

Owner type passcodes have access to all system functions. Owner types are the only passcodes that can be used to change other user's passcodes, and re-configure the system's watch mode responses.

User type passcodes can change their own passcode numbers, and have access to all other functions not restricted to Owner types.

One-time passcodes can be used to disarm the system once. The Owner type passcode can easily renew One-time passcodes when needed.



D222 Specifications

Display

Bright 'Light Box' technology
Two lines, 16 characters

Voltage Input

12VDC provided by the D2212

Current Requirements

25 mA Standby, No backlighting
80 mA Standby, No backlighting
135 mA Maximum

Dimensions

Base 4.56" H x 8.15" W x .816" D

Mounting

Directly to wall, single gang box, D54B, D54C,
D55 or D56.

Ordering Information

D222

Keypad

Includes: Pull-up Reference Card,
Security System User's Guide,
3-wire plug in wiring assembly

D2212

Control/Communicator

Includes one each:

- D2212 Control/Communicator
- D2103 Enclosure
- D1625 Transformer

L2212

D2212 Specification Sheet,
pack of 100.

L675

Pull up Reference Card, pack of 25.